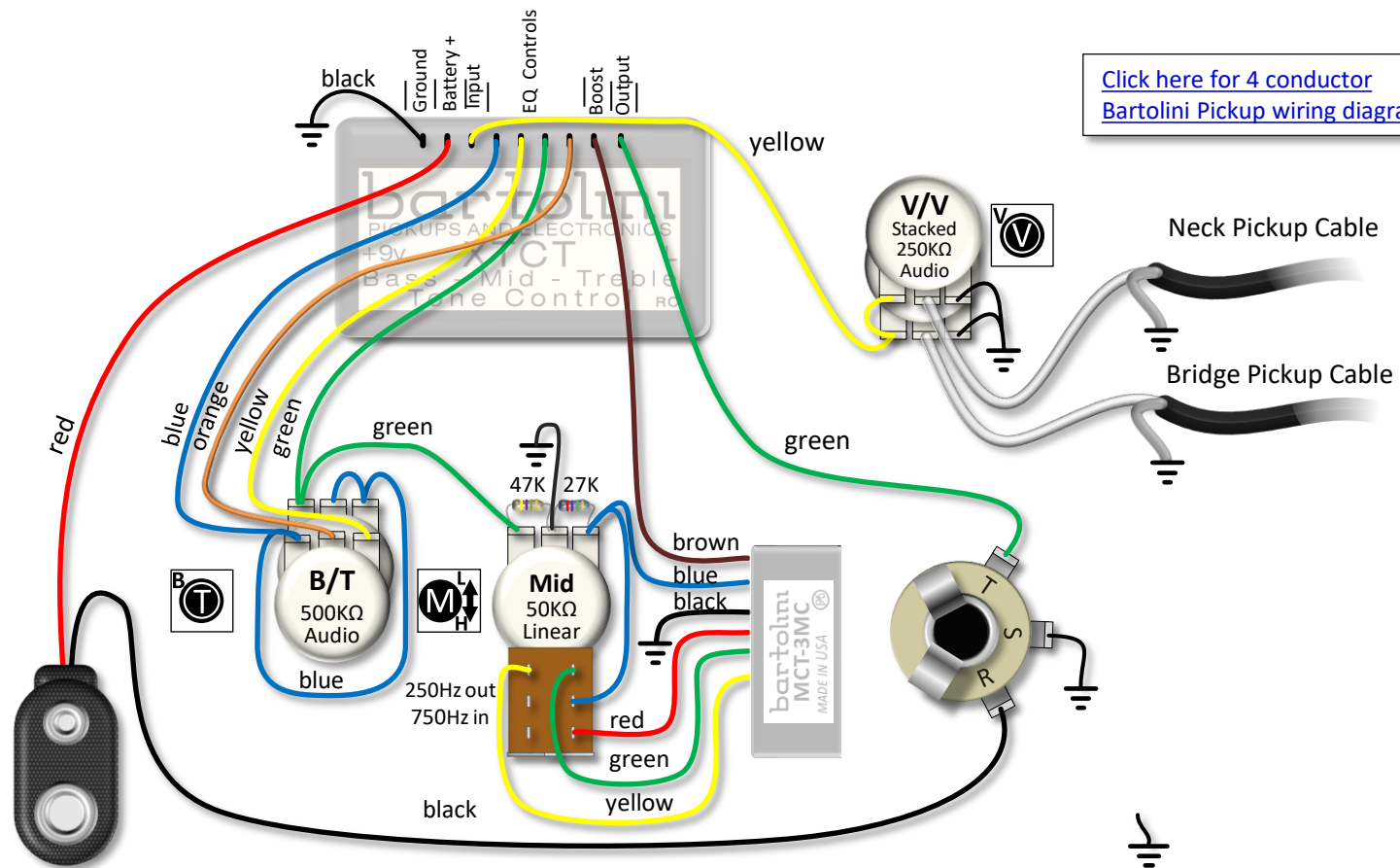


XTCT Legacy 3-Band EQ Preamp Special Order On-board Electronics for Professional Installation Only



[Click here for 4 conductor Bartolini Pickup wiring diagrams](#)

+9 Volt Operation Only

Ground connection – Connect Jack shield to preinstalled bare wire between pots (not shown in this diagram). Connect to cavity shield if available. Also ensure bridge is connected to ground.

Ordering Details:

Model/SKU	Description	UPC
XTCT-3.4	XTCT 3 Band EQ, 3 Pots: (Neck Volume/Bridge Volume Stack) (Mid with 250/750Hz push-pull) (Treble/Bass Stack)	682384505304