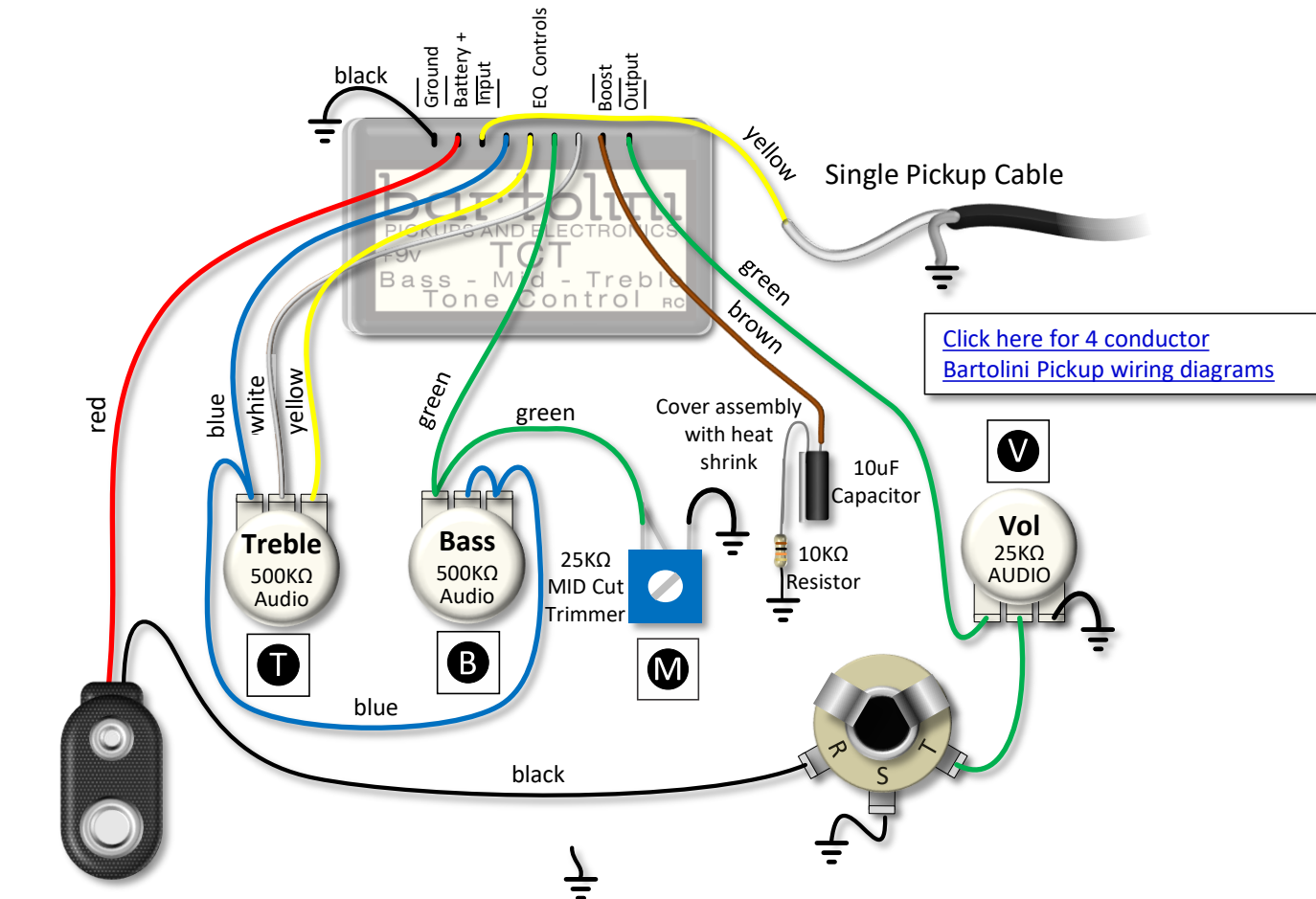


TCT Legacy 3-Band EQ Pre-Amp Special Order On-board Electronics for Professional Installation Only



+9 Volt Operation Only

Ground connection – Connect Jack shield to preinstalled bare wire between pots (not shown in this diagram). Connect to cavity shield if available. Also ensure bridge is connected to ground.

Ordering Details:

<https://bartolini.net/product/tct23/>

Model/SKU	Description	UPC
TCT-2.3	TCT 2 Band EQ, 3 Pots: (Volume) (Treble) (Bass)	682384504918