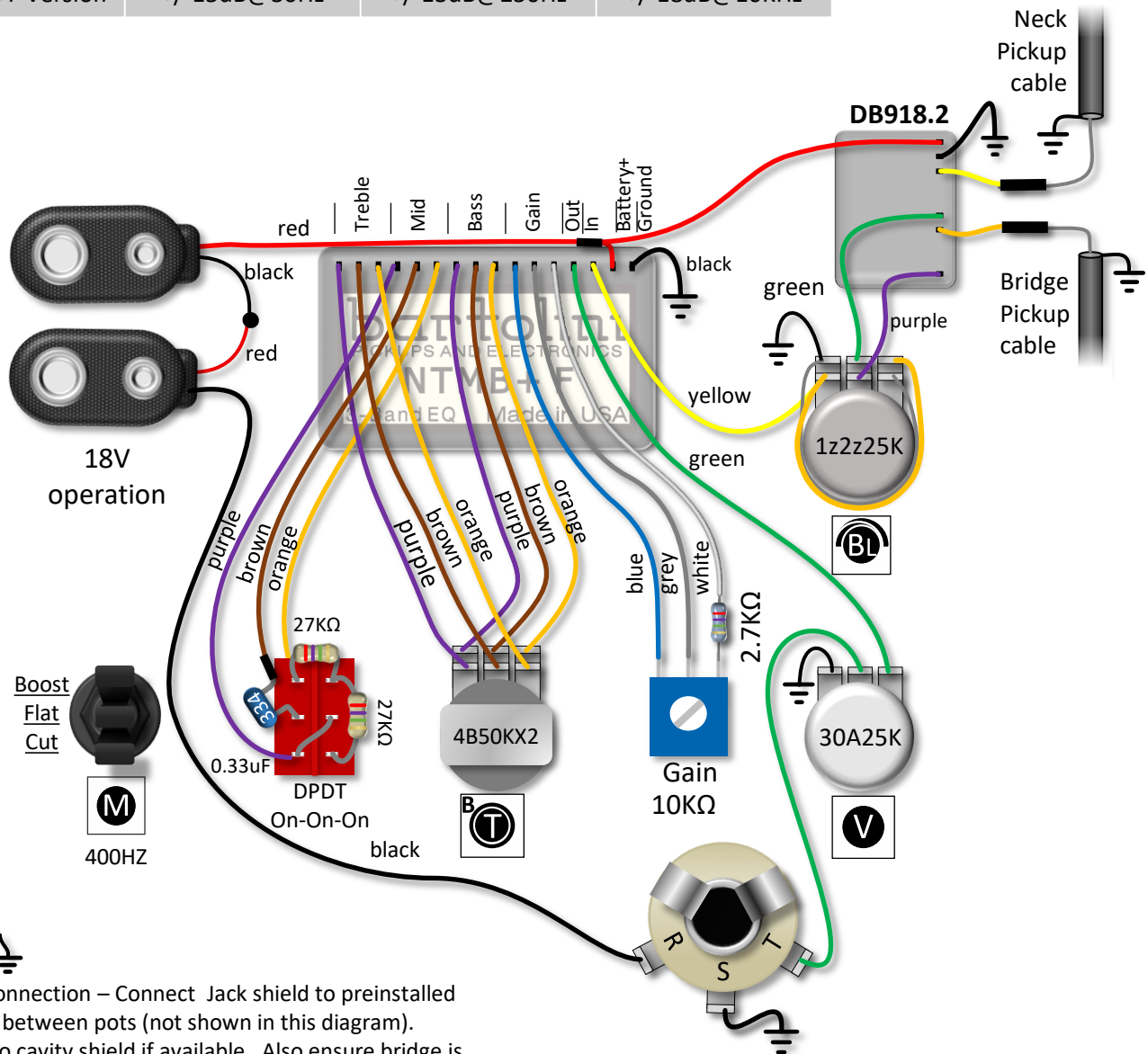


**Replacement for MTD Grendel-Czech made J bass
3 Band NTMB+F Preamp, DB918.2, 3 Pots, 1 Toggle**

The NTMB+F used in the MTD Grendel basses is a tone control preamp with fully independent Bass, and Treble controls with a three-position Mid switch for very low noise and wide boost/cut ranges. The NTMB +F has an adjustable gain trimmer which allows you to boost the input signal up to 12dB while maintaining flat frequency response. The bass is wired for 18V operation uses about 1mA from two 9-volt batteries for more than 4 months of average usage.

Response	Bass	Mid	Treble
NTMB+F Version	+/-15dB@30Hz	+/-13dB@250Hz	+/-18dB@10KHz



Ground connection – Connect Jack shield to preinstalled bare wire between pots (not shown in this diagram). Connect to cavity shield if available. Also ensure bridge is connected to ground.