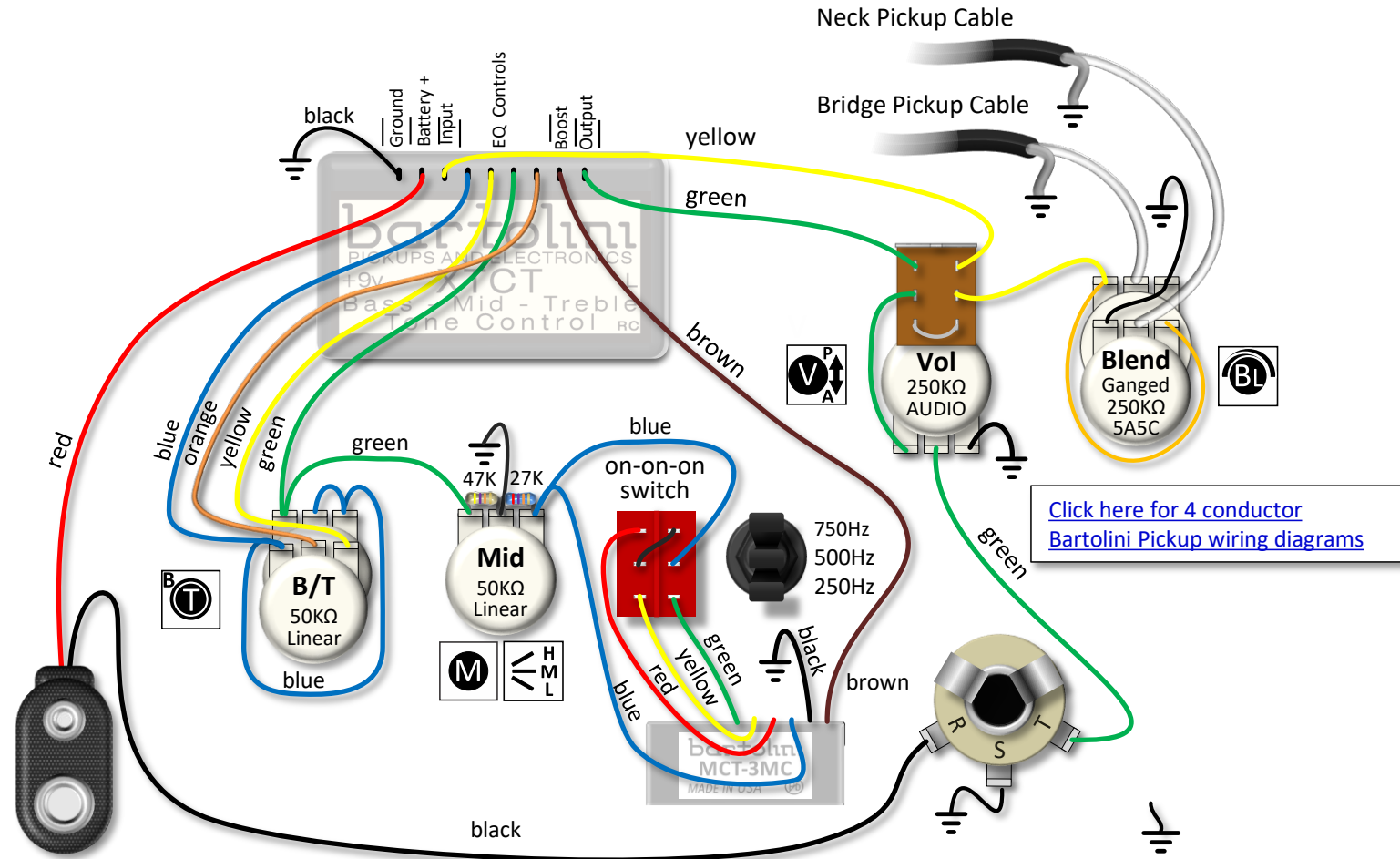


XTCT Legacy 3-Band EQ Pre-Amp Special Order On-board Electronics for Professional Installation Only



[Click here for 4 conductor Bartolini Pickup wiring diagrams](#)

+9 Volt Operation Only

Ground connection – Connect Jack shield to preinstalled bare wire between pots (not shown in this diagram). Connect to cavity shield if available. Also ensure bridge is connected to ground.

Ordering Details:

Model/SKU	Description	UPC
XTCT-4.7AP	XTCT 3 Band EQ, 4 Pots, 1 toggle: (Volume with Pull-Bypass Switch) (Blend) (Mid) [250,500,750Hz Mid Toggle] (Treble/Bass Stack)	682384505359
XTCT-4.7APJ	XTCT 3 Band EQ, 4 Pots, 1 toggle Jazz Layout: (Volume) (Blend) (Mid) [250,500,750Hz Mid Toggle] (Treble/Bass Stack)	682384505526