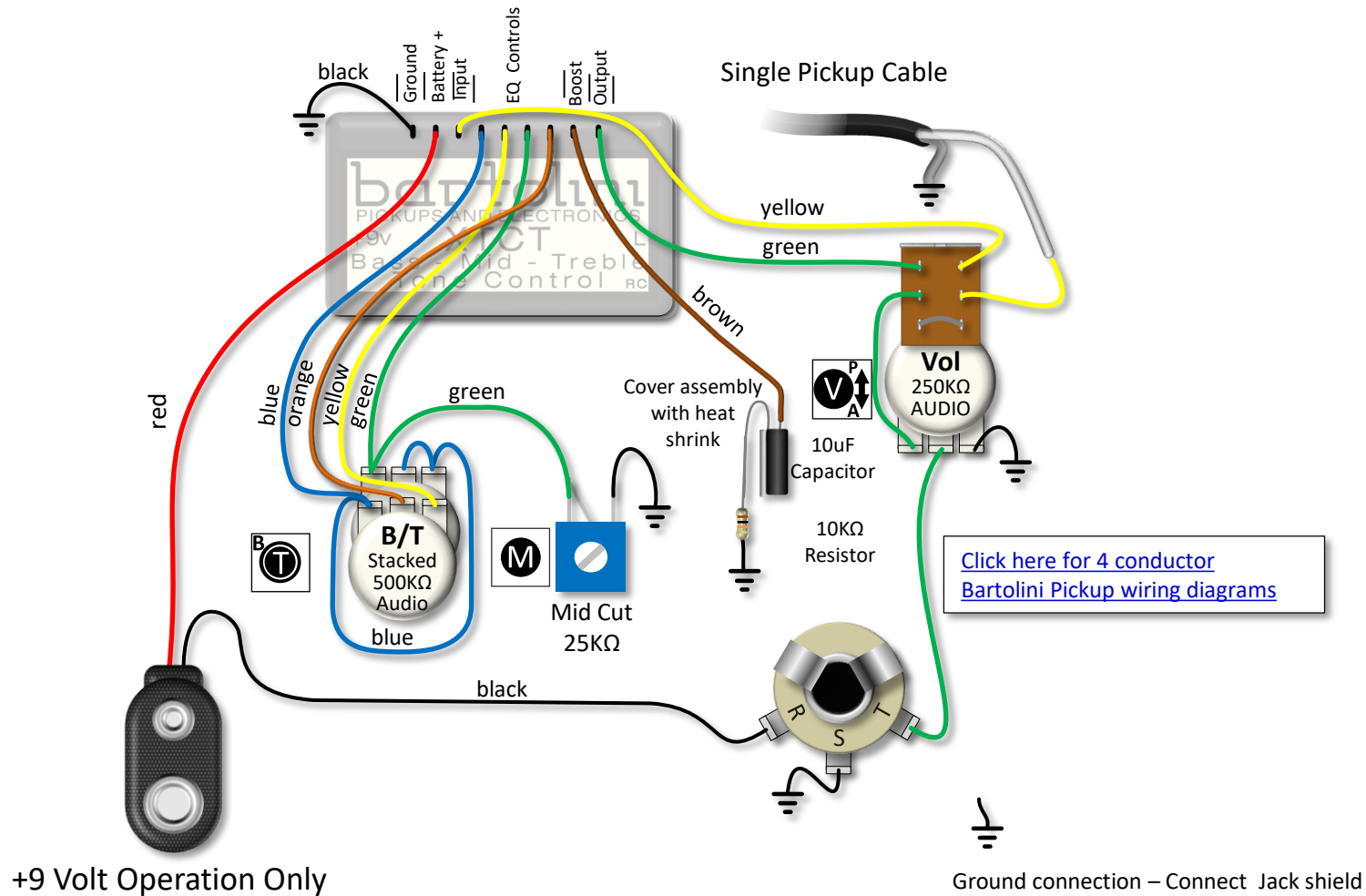


## XTCT Legacy 3-Band EQ Pre-Amp Special Order On-board Electronics for Professional Installation Only



### Ordering Details:

<https://bartolini.net/product/xtct22/>

Model/SKU

Description

UPC

XTCT-2.2AP

XTCT 2 Band EQ, 2 Pots: (Volume with Pull-Bypass Switch) (Treble/Bass Stack)

682384505182