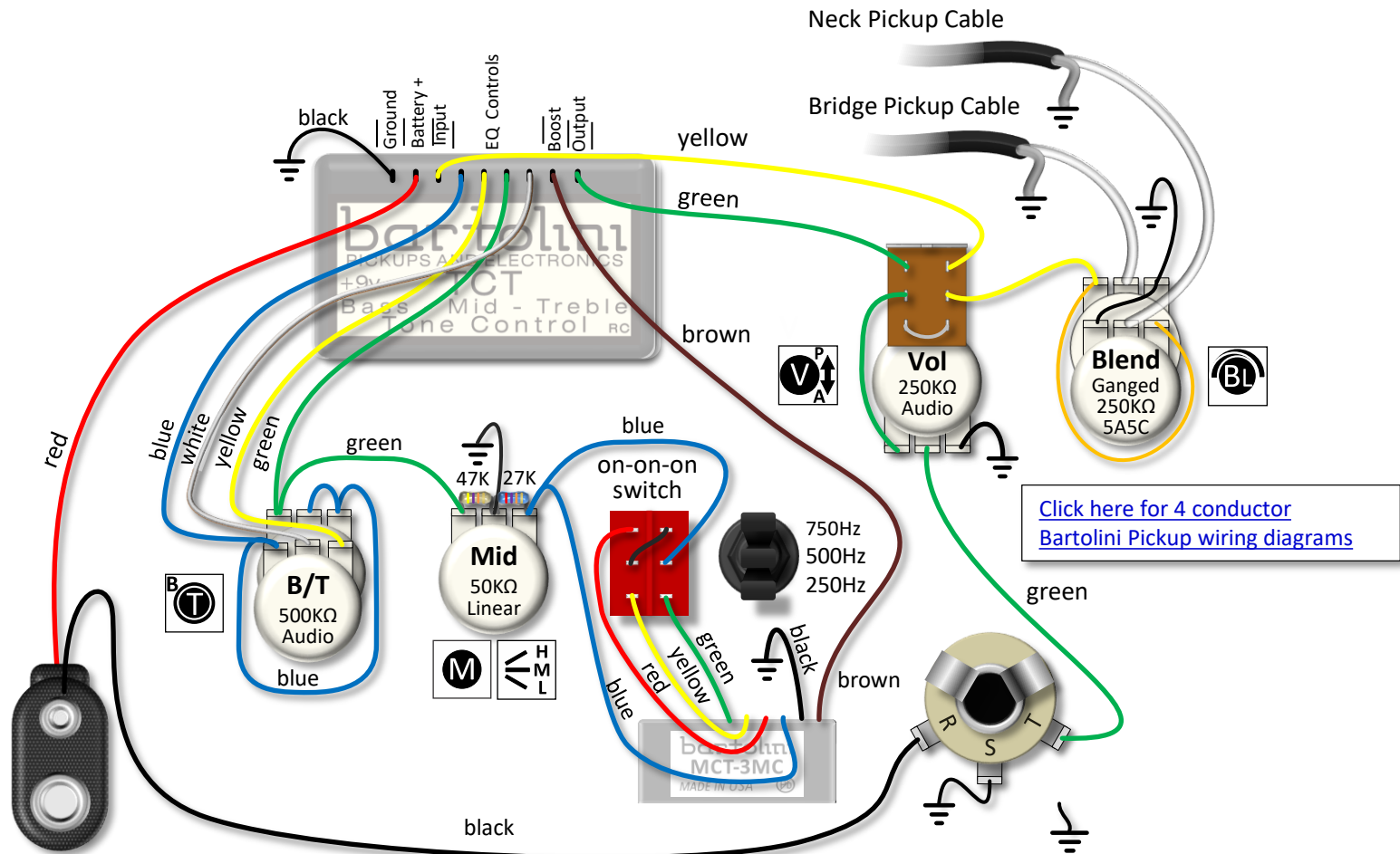


TCT Legacy 3-Band EQ Pre-Amp **Special Order** On-board Electronics for Professional Installation Only



+9 Volt Operation Only

Ground connection – Connect Jack shield to preinstalled bare wire between pots (not shown in this diagram). Connect to cavity shield if available. Also ensure bridge is connected to ground.

Ordering Details:

Model/SKU	Description	UPC
TCT-4.7AP	TCT 3 Band EQ, 4 Pots, 1 toggle: (Volume with Pull-Bypass Switch) (Blend) (Mid) [250,500,750Hz Mid Toggle] (Treble/Bass Stack)	682384505052
TCT-4.7APJ	TCT 3 Band EQ, 4 Pots, 1 toggle Jazz Layout: (Volume with Pull-Bypass Switch) (Blend) (Mid) [250,500,750Hz Mid Toggle] (Treble/Bass Stack)	682384505045