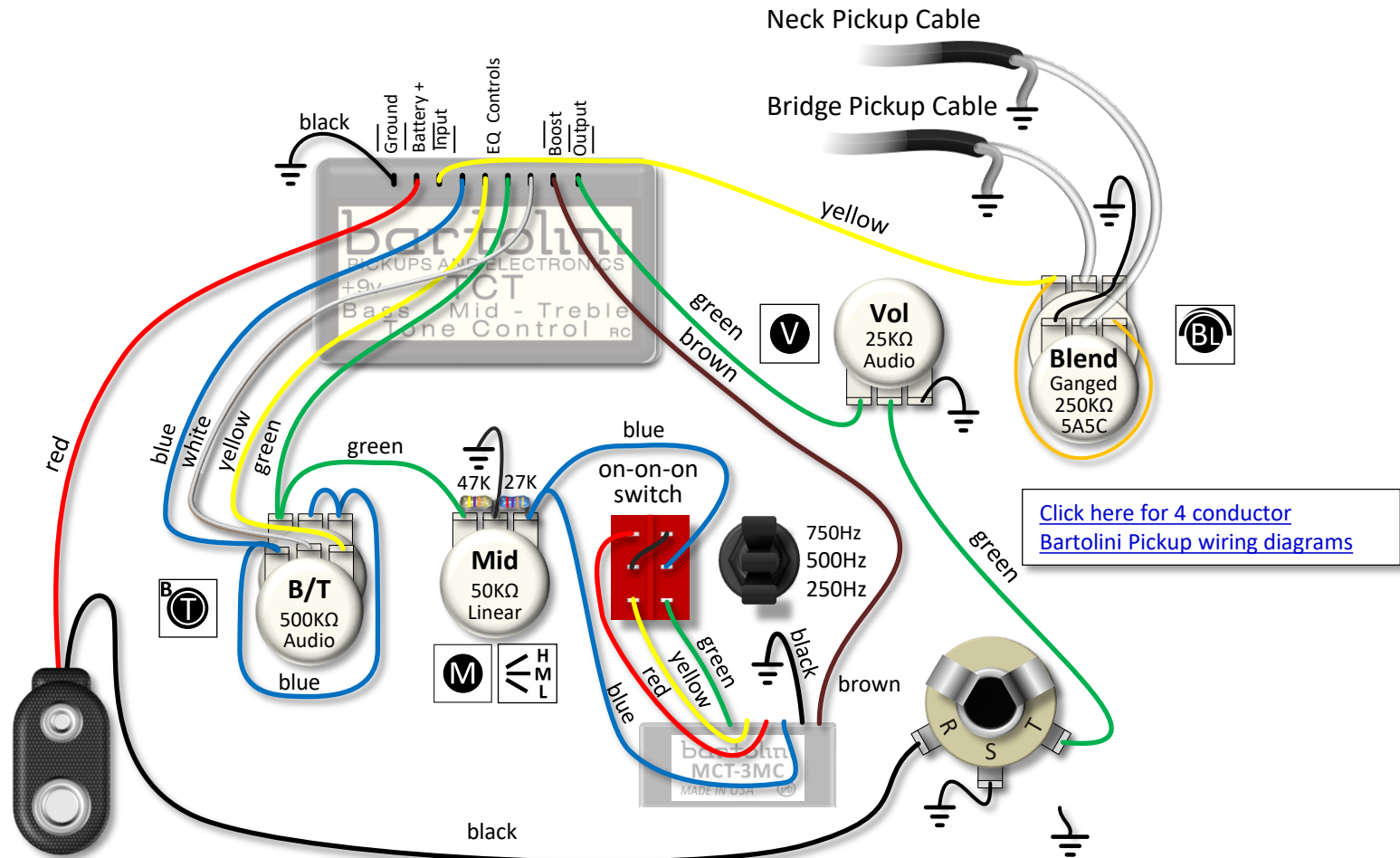


## TCT Legacy 3-Band EQ Pre-Amp **Special Order** On-board Electronics for Professional Installation Only



+9 Volt Operation Only

Ground connection – Connect Jack shield to preinstalled bare wire between pots (not shown in this diagram). Connect to cavity shield if available. Also ensure bridge is connected to ground.

### Ordering Details:

| Model/SKU                | Description  | UPC          |
|--------------------------|--|--------------|
| <a href="#">TCT-4.7</a>  | TCT 3 Band EQ, 4 Pots, 1 toggle: (Volume) (Blend) (Mid) [250,500,750Hz Mid Toggle] (Treble/Bass Stack)             | 682384505069 |
| <a href="#">TCT-4.7J</a> | TCT 3 Band EQ, 4 Pots, 1 toggle Jazz Layout: (Volume) (Blend) (Mid) [250,500,750Hz Mid Toggle] (Treble/Bass Stack) | 682384506455 |