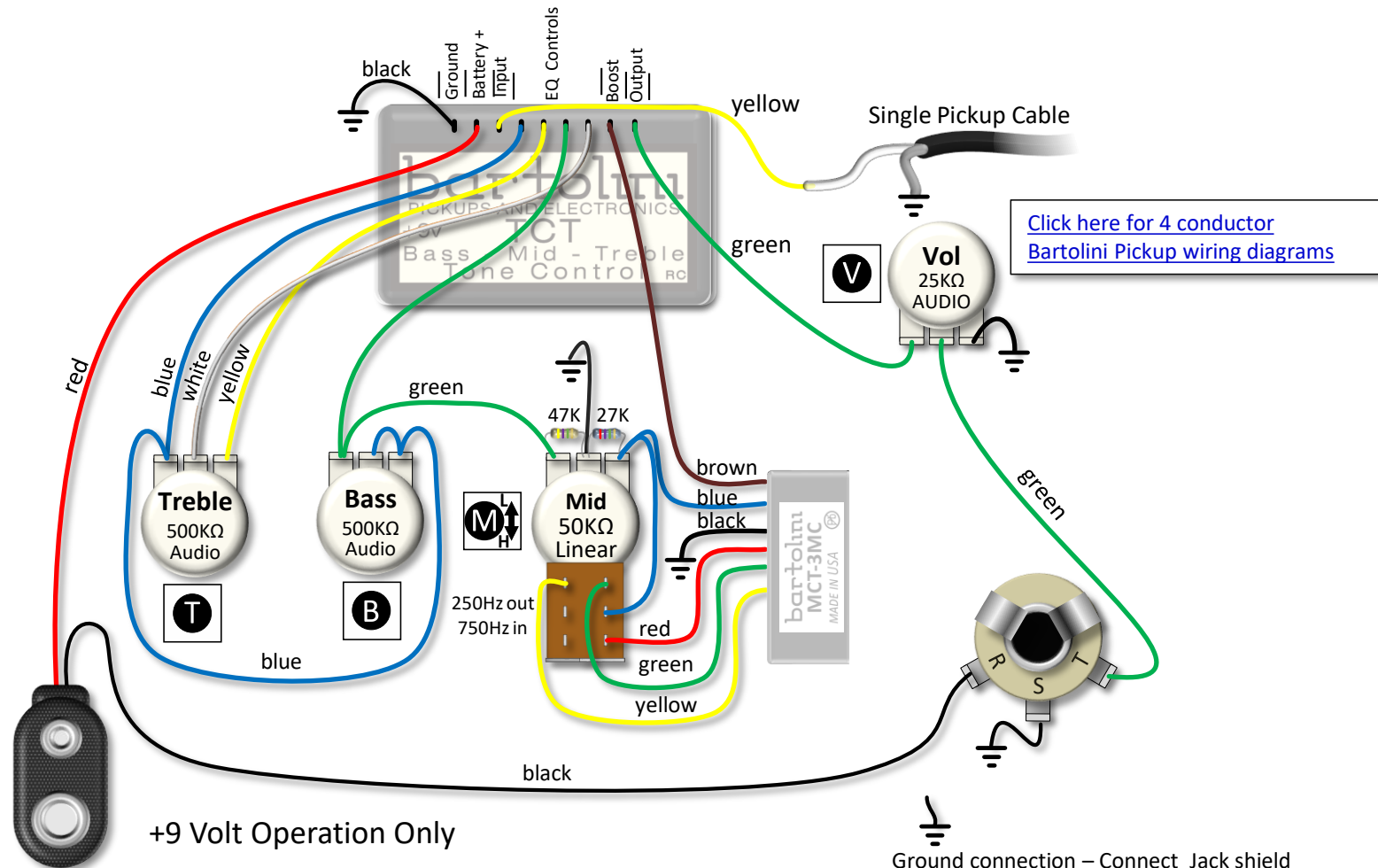


TCT Legacy 3-Band EQ Pre-Amp Special Order On-board Electronics for Professional Installation Only



Ground connection – Connect Jack shield to preinstalled bare wire between pots (not shown in this diagram). Connect to cavity shield if available. Also ensure bridge is connected to ground.

Ordering Details:

<https://bartolini.net/product/tct25/>

Model/SKU	Description	UPC
TCT-2.5	TCT 3 Band EQ, 4 Pots: (Volume) (Treble) (Mid with 250/750Hz push-pull) (Bass)	682384505151