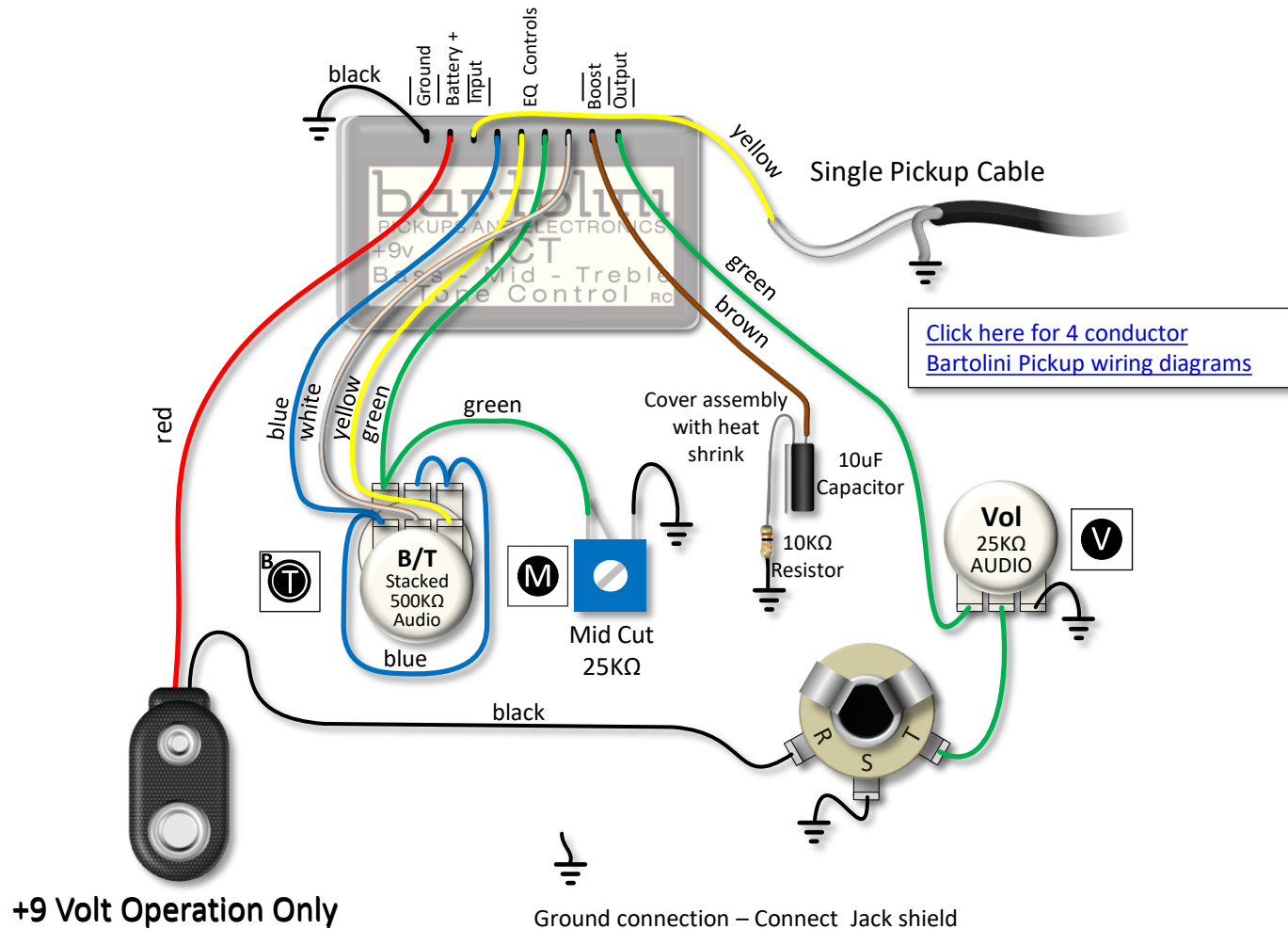


TCT Legacy 3-Band EQ Pre-Amp Special Order On-board Electronics for Professional Installation Only



Ground connection – Connect Jack shield to preinstalled bare wire between pots (not shown in this diagram). Connect to cavity shield if available. Also ensure bridge is connected to ground.

Ordering Details:

<https://bartolini.net/product/tct22/>

Model/SKU	Description	UPC
TCT-2.2	TCT 2 Band EQ, 2 Pots: (Volume) (Treble/Bass Stack)	682384504888