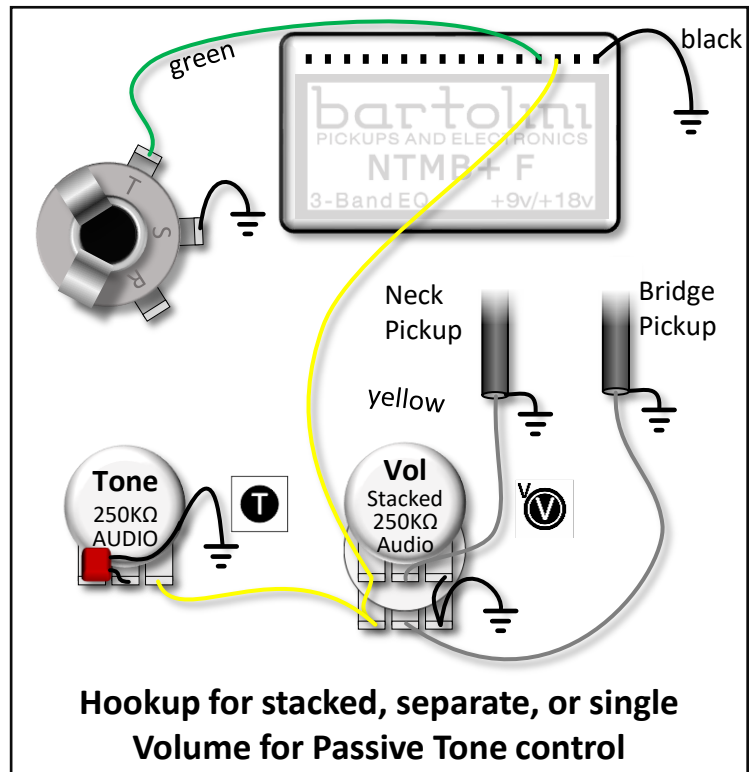
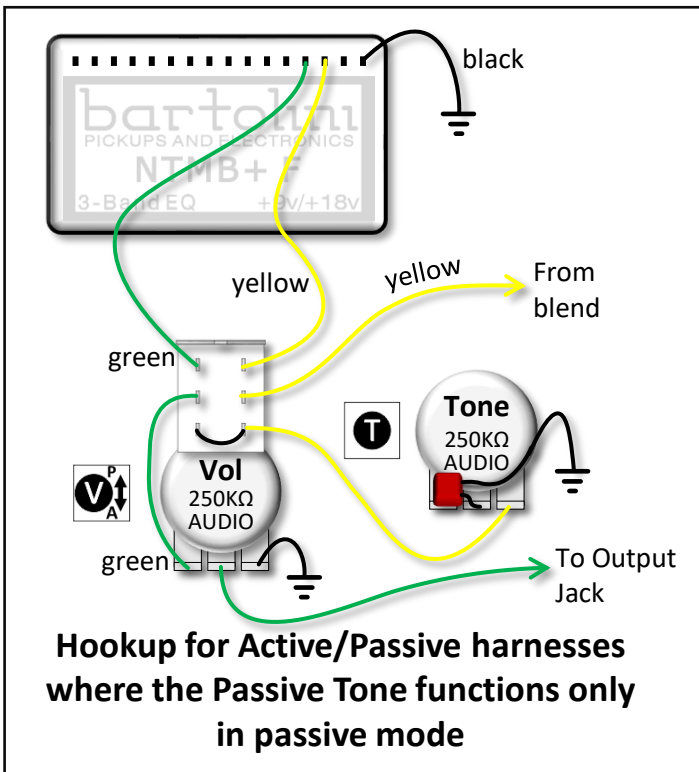
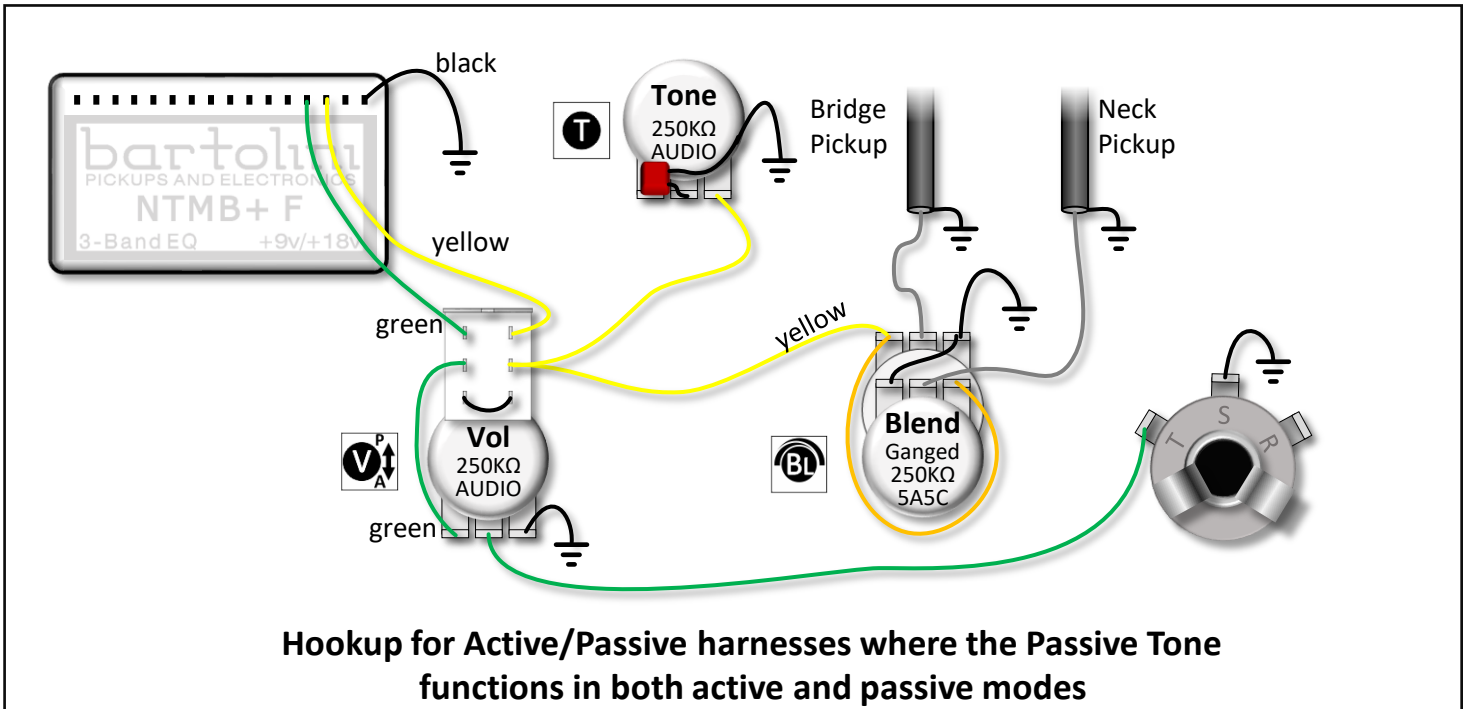

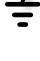


Tone Option Add-on

The Tone Option Add-on is a pre-wired Passive Tone control that can be easily added to any of our pre-wired harnesses. It requires only 2 solder joints. The connection options below show some of the ways the control can be used in Passive and/or Active modes.



 Ground – Connected to preinstalled bare wire.
 Connect to cavity shield if available. Also ensure bridge is connected to ground.