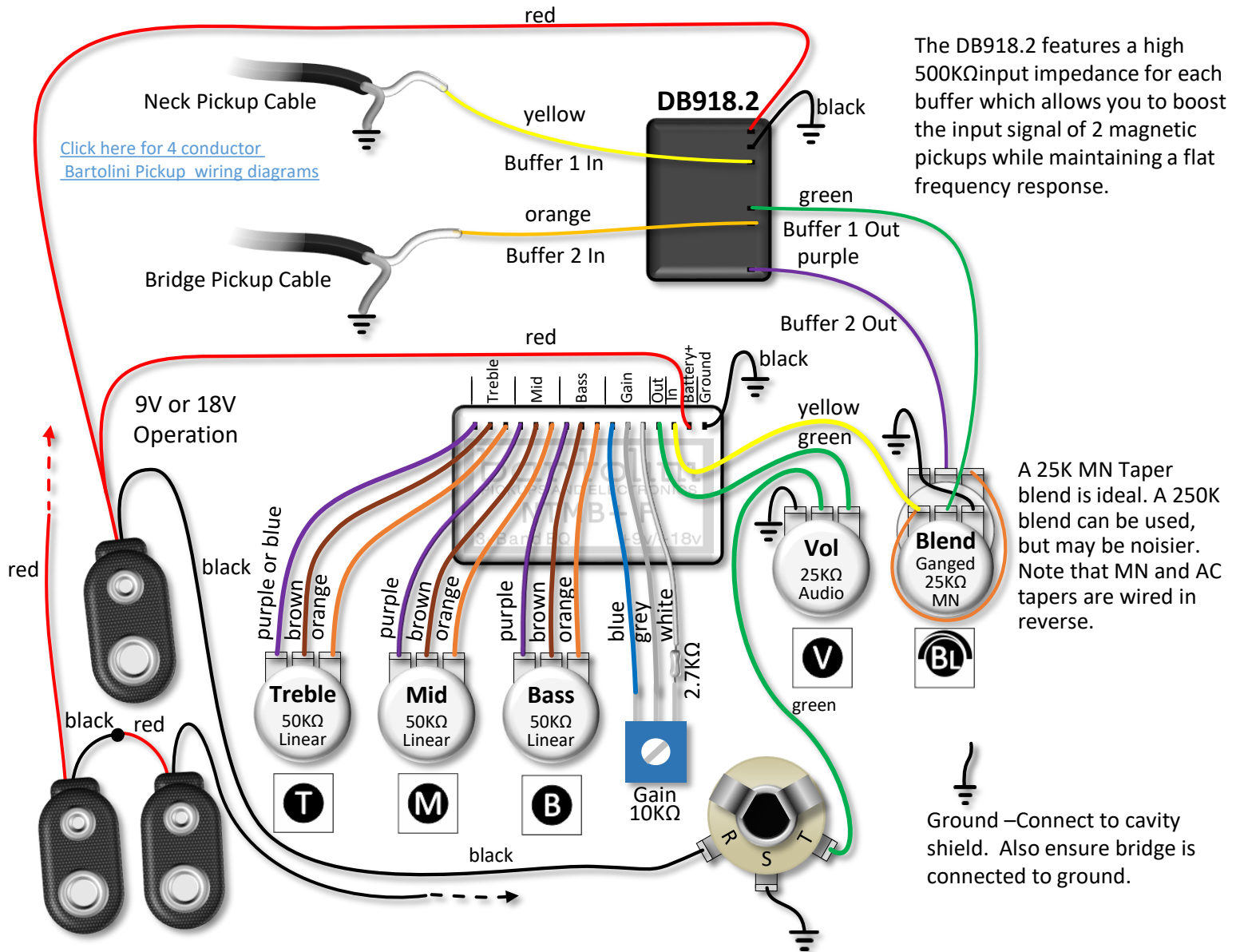


Dual Buffer/Preamp for +9V or +18V operation

This diagram shows how to connect an DB918.2 to an NTMB+ 3-band EQ in order to isolate the pickups from each other. The DB918.2 provides 2 independent buffers with fixed gain of 6dB or 2x. The sound is extremely clear and transparent. Distortion is well below 0.001%.



The DB918.2 features a high 500KΩ input impedance for each buffer which allows you to boost the input signal of 2 magnetic pickups while maintaining a flat frequency response.

A 25K MN Taper blend is ideal. A 250K blend can be used, but may be noisier. Note that MN and AC tapers are wired in reverse.

Ground –Connect to cavity shield. Also ensure bridge is connected to ground.

The negative side of the battery(ies) should be connected to the jack ring so that power is turned on only when the plug is in. Unplug the instrument when not in use to conserve your battery.

This Sample wiring diagram is not meant to represent what is included with the DB918.2, but is only one suggestion of how it may be used in an instrument with 2 magnetic pickups.

Ordering Details:

Model/SKU	Description	UPC
DB918.2	Buffer, Dual Channel, 9 or 18V for Magnetic Pickups	
HR-5.0/918	Band NTMB+F Preamp, Pre wired with 5 Pots: (Volume) (Blend) (Treble) (Mid) (Bass) All Bartolini active pre-wired harnesses maybe used in place of the HR-5.0 and will be wired similarly.	682384504680

DO NOT USE MORE THAN 18 VOLT SUPPLY VOLTAGE OR EXTERNAL POWER SUPPLIES