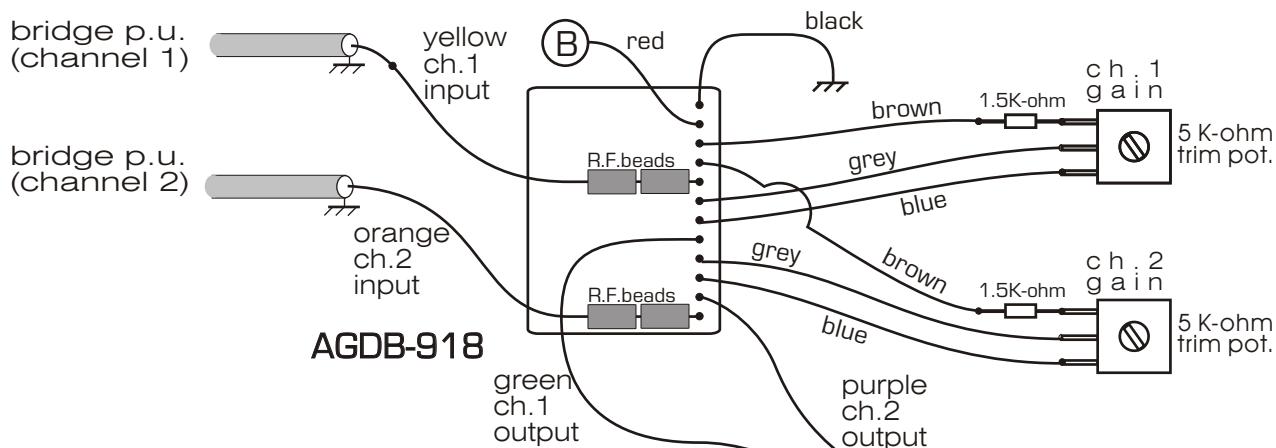
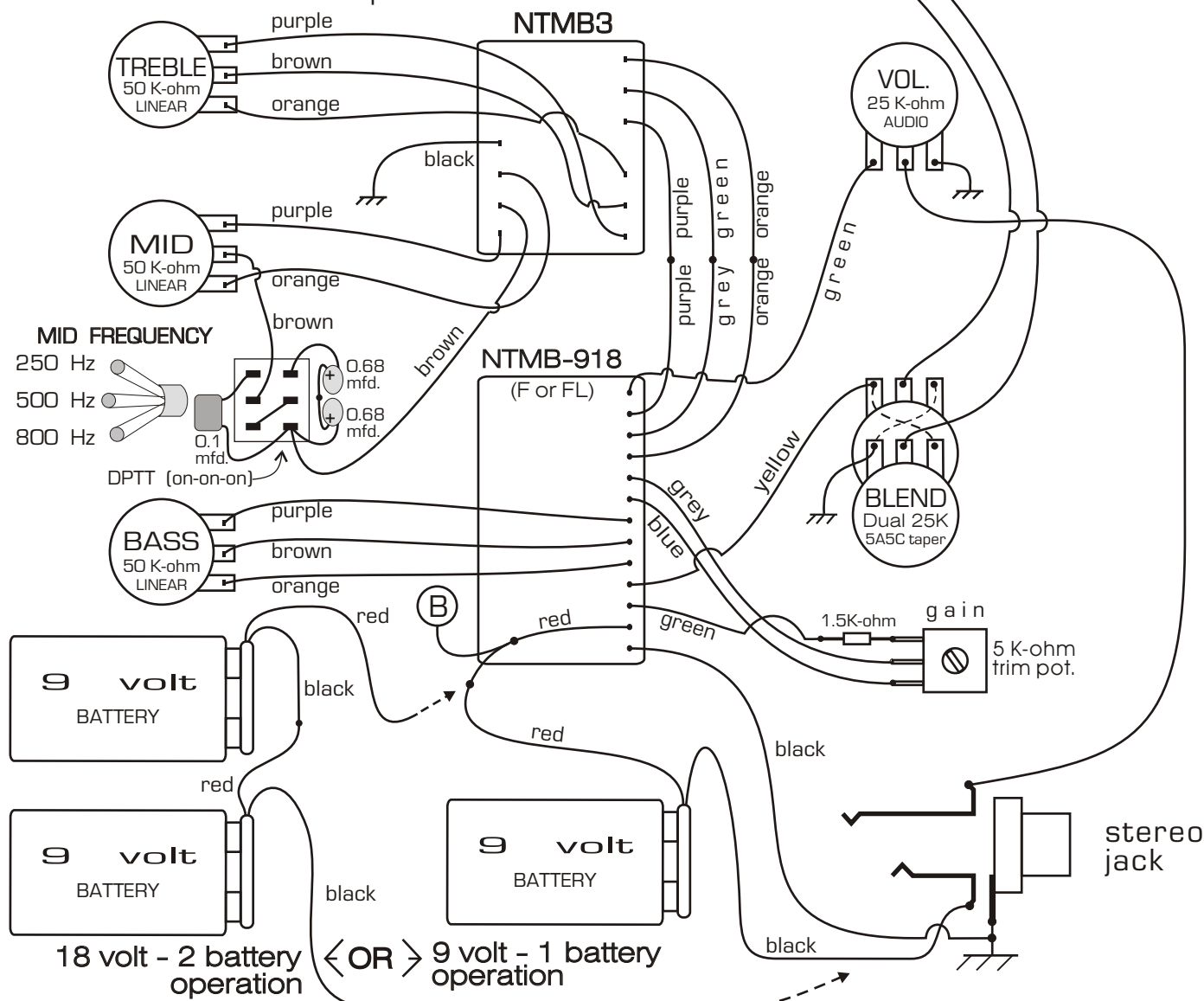


Adjustable Gain Dual Buffer for +9 volt or +18 volt operation



3 Band 9 volt or 18 volt Preamp/Tone control with switchable Mid frequencies



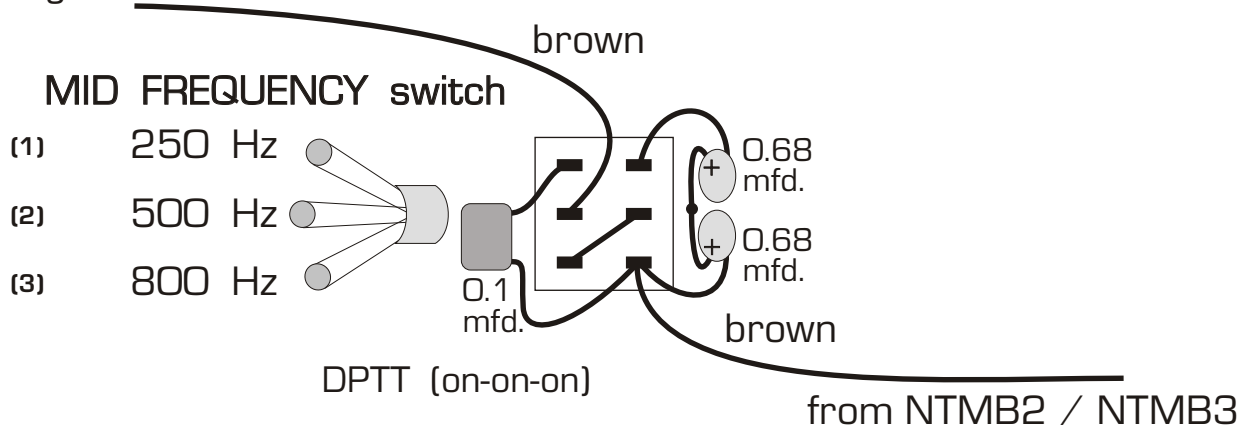
DO NOT USE MORE THAN 18 volt SUPPLY VOLTAGE OR EXTERNAL POWER SUPPLIES!

3 Band 9 volt or 18 volt Preamp/Tone control with switchable Mid frequencies

**NTMB-918 Midrange Control Frequencies**

capacitors in series from NTMB2/NTMB3 to Mid Control	capacitance (microfarads)	resonant frequency NTMB2 (grey) - Hz	resonant frequency NTMB3 (green) - Hz
0.068 (683)	0.068	1085	1023
0.082 (823)	0.082	1000	932
0.100 (104)	0.100	917	(3) 845
2 - 0.22 mfd (+ to +)	0.110	882	807
0.22 & 0.33 mfd (+ to +)	0.132	(3) 819	740
2 - 0.33 mfd (+ to +)	0.165	753	667
0.33 & 0.47 mfd (+ to +)	0.194	711	621
2 - 0.47 mfd (+ to +)	0.235	668	572
0.47 & 0.68 mfd (+ to +)	0.278	(2) 634	534
2 - 0.68 mfd (+ to +)	0.340	600	(2) 494
0.68 & 0.82 mfd (+ to +)	0.372	586	478
2 - 0.82 mfd (+ to +)	0.410	572	462
0.82 & 1.00 mfd (+ to +)	0.451	559	447
2 - 1.00 mfd (+ to +)	0.500	547	432
connected without capacitor	-----	(1) 419	(1) 265

to mid lug of Mid Control



**Control Boost / Cut Ranges**

Bass +/- 15 dB @ 30Hz

Mid +/- 13 dB @ 250Hz

Treble +/- 16 dB @ 6KHz